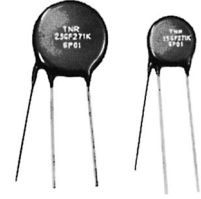


GF Series

GF Series are combined TNR G Series with Thermal Fuse

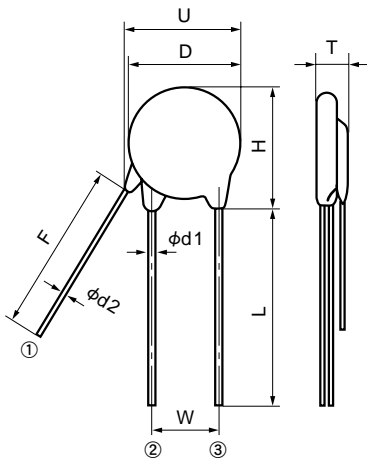


◆ RATINGS

Operating Temperature Range: -40~+85°C
Storage Temperature Range: -50~+125°C

Model Number	Maximum Applied Voltage (Continuous)		Maximum Peak Current	Maximum Energy	Rated Wattage	Maximum Clamping Voltage	Capacitance Typical	Varistor Voltage at 1mA DC	T Max.
	AC. (Vrms)	DC. (V)	8/20μSec. (A)	2mSec. (J)	(W)	V50A (V)	(pF)	(V)	(mm)
TNR15GF271K	175	225	2500/2 times	50	0.6	440	680	270 (243~297)	9
TNR15GF471K	300	385		80	0.6	765	450	470 (423~517)	10
TNR15GF821K	510	670		110	0.6	1,340	280	820 (738~902)	12
	AC. (Vrms)	DC. (V)	8/20μSec. (A)	2mSec. (J)	(W)	V50A (V)	(pF)	(V)	(mm)
TNR23GF271K	175	225	4000/2 times	90	0.8	440	1,850	270 (243~297)	9
TNR23GF471K	300	385		150	1.0	765	1,200	470 (423~517)	10
TNR23GF821K	510	670		190	1.5	1,340	800	820 (738~902)	12

◆ DIMENSIONS [mm]



	15GF	23GF
D	18 Max.	25 Max.
T	9 to 12	
H	22 Max.	32 Max.
W	7.5±1	10±1
L	30 Min.	
U	23 Max.	28 Max.
F	22 Min.	
φd1	0.8	
φd2	0.5	0.6

