



# 32HP Series

High Peak Current with tabs

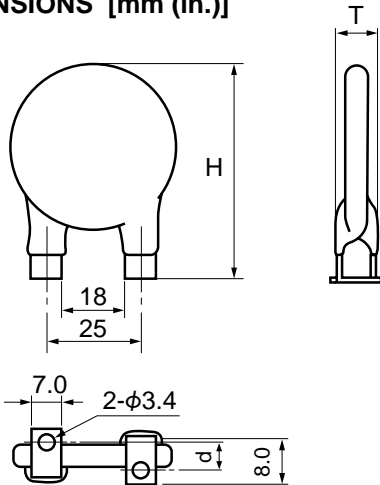


## ◆ RATINGS

Operating Temperature Range: -40~+85°C  
Storage Temperature Range: -50~+125°C

| Model Number   | Maximum Allowable Voltage |         | Maximum Peak Current<br>8/20μ (kA) | Maximum Energy<br>2ms (J) | Rated Wattage<br>(W) | Maximum Clamping Voltage<br>V <sub>200A</sub> (V) | Capacitance<br>Typical<br>1kHz (pF) | Varistor Voltage<br>V <sub>1mA</sub><br>(V) |
|----------------|---------------------------|---------|------------------------------------|---------------------------|----------------------|---|-------------------------------------|---|
|                | AC. (Vrms)                | DC. (V) |                                    |                           |                      |   |                                     |   |
| TNR32HP221K310 | 140                       | 180     | 25,000/1 time                      | 200                       | 1.2                  | 360   | 5,500                               | 220 (198~ 242)                              |
| TNR32HP241K310 | 150                       | 200     |                                    | 240 (216~ 264)            |                      |   |                                     |   |
| TNR32HP271K310 | 175                       | 225     |                                    | 270 (243~ 297)            |                      |   |                                     |   |
| TNR32HP391K310 | 250                       | 320     |                                    | 390 (351~ 429)            |                      |   |                                     |   |
| TNR32HP431K310 | 275                       | 350     |                                    | 430 (387~ 473)            |                      |   |                                     |   |
| TNR32HP471K310 | 300                       | 385     |                                    | 470 (423~ 517)            |                      |   |                                     |   |
| TNR32HP511K310 | 315                       | 420     |                                    | 510 (459~ 561)            |                      |   |                                     |   |
| TNR32HP681K310 | 420                       | 560     |                                    | 680 (612~ 748)            |                      |   |                                     |   |
| TNR32HP751K310 | 460                       | 615     |                                    | 750 (675~ 825)            |                      |   |                                     |   |
| TNR32HP821K310 | 510                       | 670     |                                    | 820 (738~ 902)            |                      |   |                                     |   |
| TNR32HP911K310 | 550                       | 745     | 910 (819~1,001)                    |                           |                      |   |                                     |   |
| TNR32HP102K310 | 625                       | 825     | 1,000 (900~1,100)                  |                           |                      |   |                                     |   |
| TNR32HP112K310 | 680                       | 895     | 1,100 (990~1,210)                  |                           |                      |   |                                     |   |

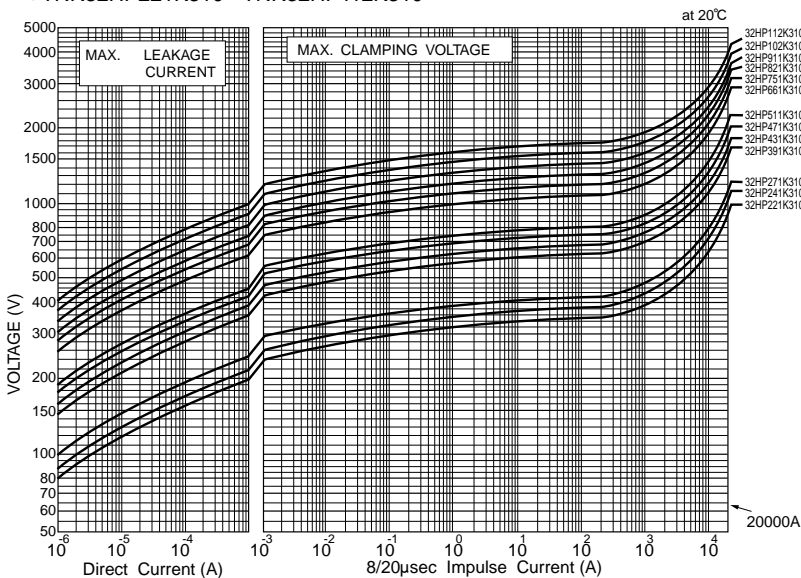
## ◆ DIMENSIONS [mm (in.)]



| Model Number   | H<br>Max. | T<br>Max. | d<br>±1.0 |
|----------------|-----------|-----------|-----------|
| TNR32HP221K310 | 46.0      | 7.5       | 6.8       |
| TNR32HP241K310 | 46.0      | 7.5       | 6.7       |
| TNR32HP271K310 | 46.0      | 7.5       | 6.5       |
| TNR32HP391K310 | 46.0      | 7.5       | 5.8       |
| TNR32HP431K310 | 46.0      | 7.5       | 5.6       |
| TNR32HP471K310 | 46.0      | 7.5       | 5.4       |
| TNR32HP511K310 | 46.0      | 10.0      | 5.2       |
| TNR32HP681K310 | 46.0      | 10.0      | 4.2       |
| TNR32HP751K310 | 46.0      | 10.0      | 3.9       |
| TNR32HP821K310 | 46.0      | 10.0      | 3.5       |
| TNR32HP911K310 | 46.0      | 10.0      | 3.0       |
| TNR32HP102K310 | 46.0      | 11.0      | 2.5       |
| TNR32HP112K310 | 46.0      | 11.0      | 1.9       |

## ◆ V-I CURVE

● TNR32HP221K310~TNR32HP112K310



## ◆ PULSE LIFE TIME RATINGS

● TNR32HP221K310~TNR32HP112K310

