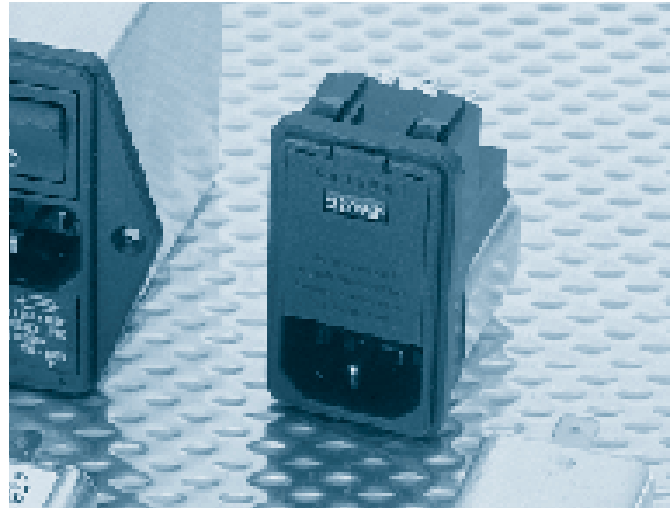


With fuse holders and voltage selectors

A range of compact IEC 60320 inlet power entry modules combining 1 or 2 fuse holders for US and IEC fuses. Plus input voltage selector with 4 possible combinations. These features ensure the range is ideally suited for manufacturers of business, consumer and medical equipment for international markets.

- Current ratings from 1A to 6A
- Integral single or twin fuse holder
- Voltage selector
- Snap-in or screw mount versions
- Medical versions available



Mechanical Specifications

Manufacture: metal case with built-in power line connector according to IEC 60320, 1 (F.MF) or 2 (F.MG) fuse holders for fuses 5 x 20 mm (IEC) or 6.3 x 32 mm (US), voltage selector with 4 possible combinations; internal components sealed with self-extinguishing resin.

Connections: IEC 60320 - Standard plug (INPUT);
 faston 6.3 x 0.5 mm or 2.8 x 0.5 mm for filter output terminals;
 faston 2.8 x 0.5 mm for fuse terminals;
 faston 2.8 x 0.5 mm for voltage selector terminals;
 ground terminal connected to case.

Electrical Specifications

Rated voltage (V_R): max 250 V, 50/60 Hz

Rated current (I_R): referred to room temperature = 40°C

Leakage current (I_l): at 220 V, 50 Hz, max value

Voltage test (2_s): line to ground 3000 Vdc or 1800 Vac
 line to line 1700 Vdc

Climatic category: HPF (25/085/21);
 Temperature range: -25°C to +85°C

Voltage selector: 110-220-240 Vac
 100-120-220-240 Vac
 115-115-230-230 Vac
 110-220 Vac

Filter Range

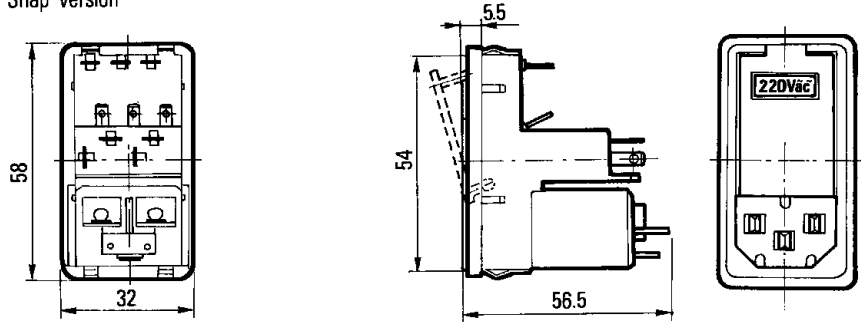
(example pt no. - F.MF.01A.01.01.FA)

Code	I _R (A)	L (mH)	C _x (μF)	C _y (pF)	I _l (mA)	R (MΩ)
01A.	01.-.-.-	1	2 x 10	0.047	2 x 2500	2 x 0.23
	04.-.-.-				2 x 0.002	
	07.-.-.-				2 x 0.002	1
F.MF. 03A.	02.-.-.-	3	2 x 2.5	0.047	2 x 2500	2 x 0.23
	05.-.-.-				2 x 0.002	
	08.-.-.-				2 x 0.002	1
F.MG. 06A.	03.-.-.-	6	2 x 1	0.047	2 x 2500	2 x 0.23
	06.-.-.-				2 x 0.002	
	09.-.-.-				2 x 0.002	1

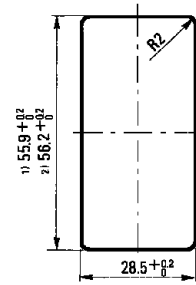
- A = Filter output terminals 2.8 x 0.5 mm
- C = Filter output terminals 6.3 x 0.8 mm
- F = Snap-in mounting
- G = Screw mounting
- 01 = fuse 5 x 20 mm + voltage selector 110-220-240 V-
- 02 = fuse 5 x 20 mm + voltage selector 100-120-220-240 V-
- 03 = fuse 5 x 20 mm + voltage selector 115-115-230-230 V-
- 08 = fuse 6.3 x 32 mm + voltage selector 110-220-240 V-
- 09 = fuse 6.3 x 32 mm + voltage selector 100-120-220-240 V-
- 10 = fuse 6.3 x 32 mm + voltage selector 115-115-230-230 V-
- 15 = fuse 5 x 20 mm + voltage selector 110-220 V-
- 16 = fuse 6.3 x 32 mm + voltage selector 110-220 V-
- 19 = fuse 5 x 20 mm + voltage selector 100-120-220-230 V-
- 20 = fuse 6.3 x 32 mm + voltage selector 100-120-230-240 V-
- 21 = fuse 5 x 20 mm + voltage selector 100-120-230-240 V-

Dimensions (mm) and connections

Snap version



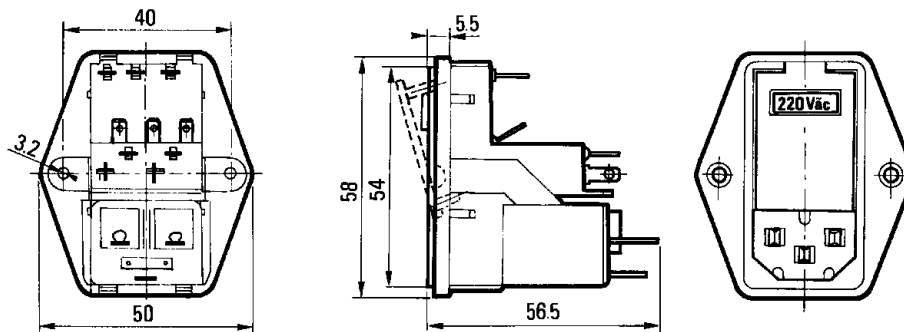
Snap version



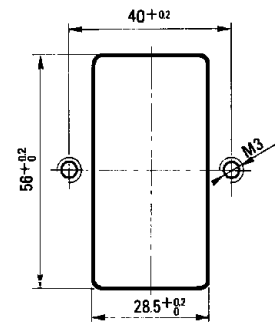
Thickness of mounting panels

- 1) 0.8-2.0 mm
- 2) 2.1-3.2 mm

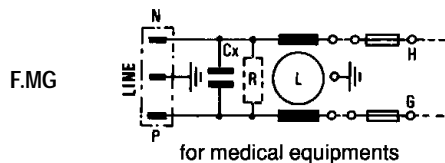
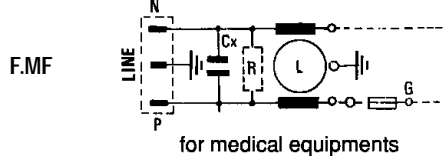
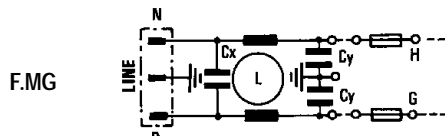
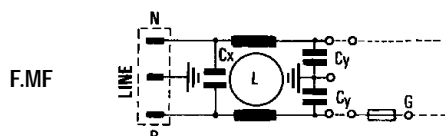
Screw version



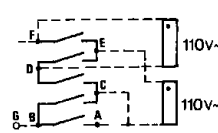
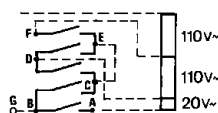
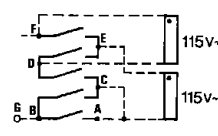
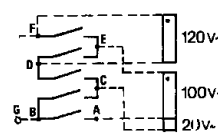
Screw version



Circuit diagram



--- External Connections



--- External Connections

	100V~	120V~	220V~	240V~
F-E	<input type="checkbox"/>	<input type="checkbox"/>		
D-E			<input type="checkbox"/>	<input type="checkbox"/>
D-C	<input type="checkbox"/>	<input type="checkbox"/>		
B-C		<input type="checkbox"/>		<input type="checkbox"/>
B-A	<input type="checkbox"/>		<input type="checkbox"/>	

	115V~	115V~	230V~	230V~
F-E	<input type="checkbox"/>	<input type="checkbox"/>		
D-E			<input type="checkbox"/>	<input type="checkbox"/>
D-C	<input type="checkbox"/>	<input type="checkbox"/>		
B-C		<input type="checkbox"/>		<input type="checkbox"/>
B-A	<input type="checkbox"/>		<input type="checkbox"/>	

	110V~	220V~	240V~
F-E	<input type="checkbox"/>		
D-E			<input type="checkbox"/>
D-C	<input type="checkbox"/>	<input type="checkbox"/>	
B-C		<input type="checkbox"/>	
B-A	<input type="checkbox"/>		<input type="checkbox"/>

	110V~	220V~
F-E	<input type="checkbox"/>	
D-E		<input type="checkbox"/>
D-C	<input type="checkbox"/>	
B-C	<input type="checkbox"/>	
B-A		<input type="checkbox"/>

IEC Inlet Filters

F.MF-F.MG series

Insertion loss (typical): — Asymmetrical (line to ground) with Cy - - - Asymmetrical (line to ground) without Cy - - - Symmetrical (line to line)

